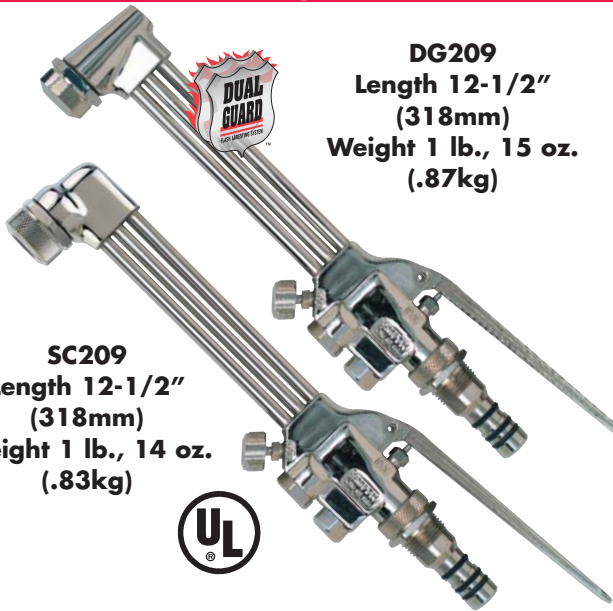


## Dual Guard™

### Heavy Duty Cutting Attachments

Torches



**DG209**  
Length 12-1/2"  
(318mm)  
Weight 1 lb., 15 oz.  
(.87kg)

**SC209**  
Length 12-1/2"  
(318mm)  
Weight 1 lb., 14 oz.  
(.83kg)



#### DG205 & DG209

Features The Dual Guard™ System and cuts up to 8" (203mm) thick steel. Solid silver brazed construction. Features "O" ring seating and easy-to-change slip-in Graf-Tite® cutting tips with cost saving soft-seats. Covered by the LIFETIME Warranty & Service Agreement. Use with any industrial equal pressure fuel gases — acetylene, propane, natural gas, propylene, hydrogen, MAPP®, and many others. Several models of standard and special purpose tips are available for use in DG200 Series Cutting Assemblies.

#### SC209 Cutting Attachment cuts up to 8" (203mm)

Does not include Dual Guard™ built-in head flashback arrestor.

#### SEE PAGES 32 - 37 FOR CUTTING TIPS

**USED WITH:** Torch Handles - SW1, SW1A & SW1B & WH200. DG200 Series Valve Assembly Replacement 13936 (also for SC Series)

### Medium Duty - Dual Guard™ Cutting Attachments



**DG109A**  
Length 11-1/4"  
(286mm)  
Weight 1 lb., 3 oz.  
(.53kg)



#### DG109A

Features The Dual Guard™ System and cuts up to 6" (153mm) thick steel. Solid silver brazed construction. Features "O" ring seating and easy-to-change slip-in Graf-Tite™ cutting tips with cost saving soft-seats. Covered by the LIFETIME Warranty & Service Agreement. Use with any industrial equal pressure fuel gases — acetylene, propane, natural gas, propylene, hydrogen, MAPP®, and many others. Several models of standard and special purpose tips are available for use in DG100 Series Cutting Assemblies.

#### SEE PAGES 38 - 39 FOR CUTTING TIPS

**USED WITH:** Torch Handles - MW5, MW5A WH100 & CW5A.

DG100 Series Valve Assembly Replacement 7588 (also for MC500 & AC300 Series)

**16229**  
Adjustable Circle  
Cutting Guide  
Cutting range from  
5/8" - 12" holes



Works with all cutting assemblies

Stock No.	Style	Head Angle	For Use With Tips:
DG205	Heavy Duty	75°	<b>Oxygen/Acetylene:</b> SC12-00 thru SC12-5, SC56-1 thru SC56-5, <b>Oxygen/Propane, Oxygen/Propane Based:</b> SC40-0 thru SC40-5, SC46-2 thru SC46-5, SC50-1 thru SC50-5, SC2-2, SC2-4, <b>Oxygen/Propylene:</b> SC60-0 thru SC60-5, SC2-2, SC2-4, <b>Oxygen/MAPP®:</b> SC90-00 thru SC90-5, SC56-1 thru SC56-5 SC Series Special Purpose Tips except SC110 & 110A, SC112 & SC113
DG209	Heavy Duty	90°	
SC209	Heavy Duty	90°	
DG109A	Medium Duty	90°	All MC Series Cutting & Special Purpose Tips

**NOTE:** DG200 Series supercedes SC200 and SC500 Series cutting assemblies.  
 DG109A Series supercedes MC509 Series cutting assemblies.

